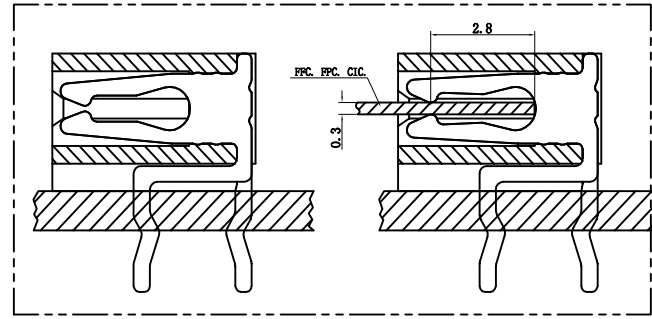
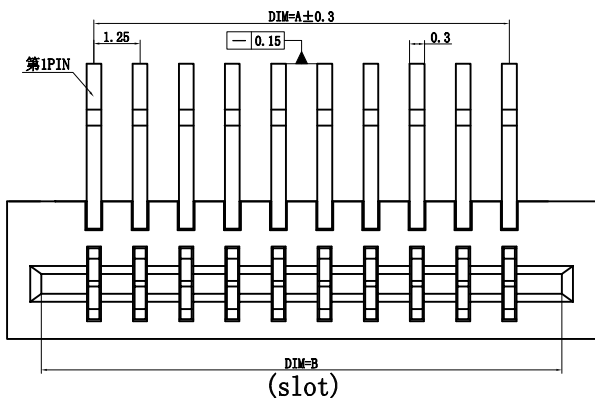
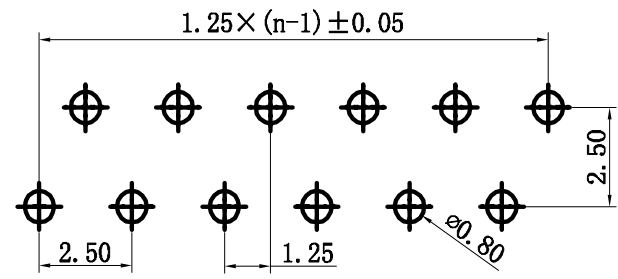
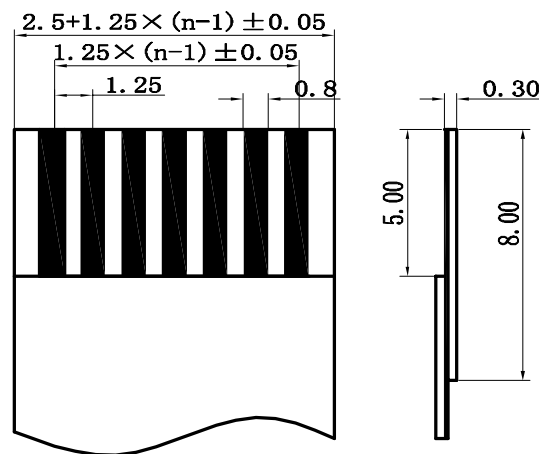


Specifications:
 Housing: LCP UL94-V0 Color: Black
 Contact: Phosphor Bronze
 Operating Voltage: 50V AC/DC
 Current Rating: 0.5A AC/DC
 Withstand Voltage: 250V AC/Minute
 Contact Resistance: ≤20mΩ
 Insulation resistance: ≥100mΩ
 Operating Temperature: -25℃ ~ +85℃



P 数	DIM=A	DIM=B	DIM=C
004	3.750	6.500	8.450
005	5.000	7.750	9.700
006	6.250	9.000	10.950
007	7.500	10.250	12.200
008	8.750	11.500	13.450
009	10.000	12.750	14.700
010	11.250	14.000	15.950
011	12.500	15.250	17.200
012	13.750	16.500	18.450
013	15.000	17.750	19.700
014	16.250	19.000	20.950
015	17.500	20.250	22.200
016	18.750	21.500	23.450
017	20.000	22.750	24.700
018	21.250	24.000	25.950
019	22.500	25.250	27.200
020	23.750	26.500	28.450
021	25.000	27.750	29.700
022	26.250	29.000	30.950
023	27.500	30.250	32.200
024	28.750	31.500	33.450
025	30.000	32.750	34.700
026	31.250	34.000	35.950
027	32.500	35.250	37.200
028	33.750	36.500	38.450
029	35.000	37.750	39.700
030	36.250	39.000	40.950
031	37.500	40.250	42.200
032	38.750	41.500	43.450
033	40.000	42.750	44.700



PC BOARD LAYOUT

一般公差 TOLERANCES X. ±0.40 .XX ±0.20 .X ±0.30 .XXX ±0.10 ANGLES ±2°		深圳市宏利电子有限公司 Shenzhen Holy Electronic Co.,Ltd	
检验尺寸标示 SYMBOLS INDICATE CLASSIFICATION DIMENSION	工程图号 FPC125WDIP-nP	制图 (DR) *10/03/22 审核 (CHKD)	
MARK IS CRITICAL DIM. MARK IS MAJOR DIM.	品名 1.25mm - nP 双面接 弯插	核准 (APPD) Rigo Lu	
表面处理 (FINISH)	比例 (SCALE) 1:1	单位 (UNITS) mm	张数 (SHEET) 1 OF 1
修订 REV	修改摘要 REVISION DESCRIPTION	日期 DATE	签名 SIGNATURE
			SIZE A4
			REV 0